



Technical comercial data

CU-5.3-UN T.CU-6.3

Serie CUBETA – Versión 17-05-2023

Approved UN 4H2/Y5.4/S Group II and III solids with inner bag,
marked with a danger triangle for blind people.

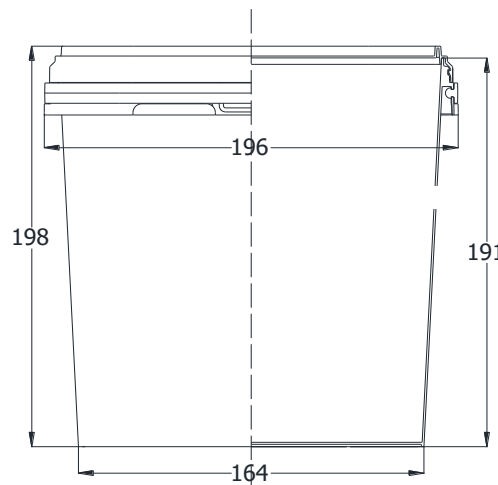
TECHNICAL DATA:

| | |
|-----------------------------------|--|
| Material: | PP copolymer of first quality. |
| Colours: | White standard. Consult for other colours. |
| Useful Volume: | 5 litres |
| Volume to the edge: | 5.3 litres |
| Weight of the rectangular bucket: | 169 g. approx. |
| Weight of the lid: | 56 g. approx. |
| Weight of the handle (plastic): | 6 g. approx. |
| Total Weight: | 231 g. approx. |



Design surface photographic finish: 145 x 620 mm (altura x perímetro).

MEASUREMENTS:



Measurements in millimetres

GROUPING OF TRANSPORT:

| | |
|----------------------|--|
| Rectangular buckets: | 900 rectangular buckets per pallet |
| Pallet dimensions: | 1180 x 979 x 1113 (see drawing) |
| Lids: | 180 lids per box, this serves as a packaging of transportation |
| Box dimension: | 445 x 210 x 915 |

